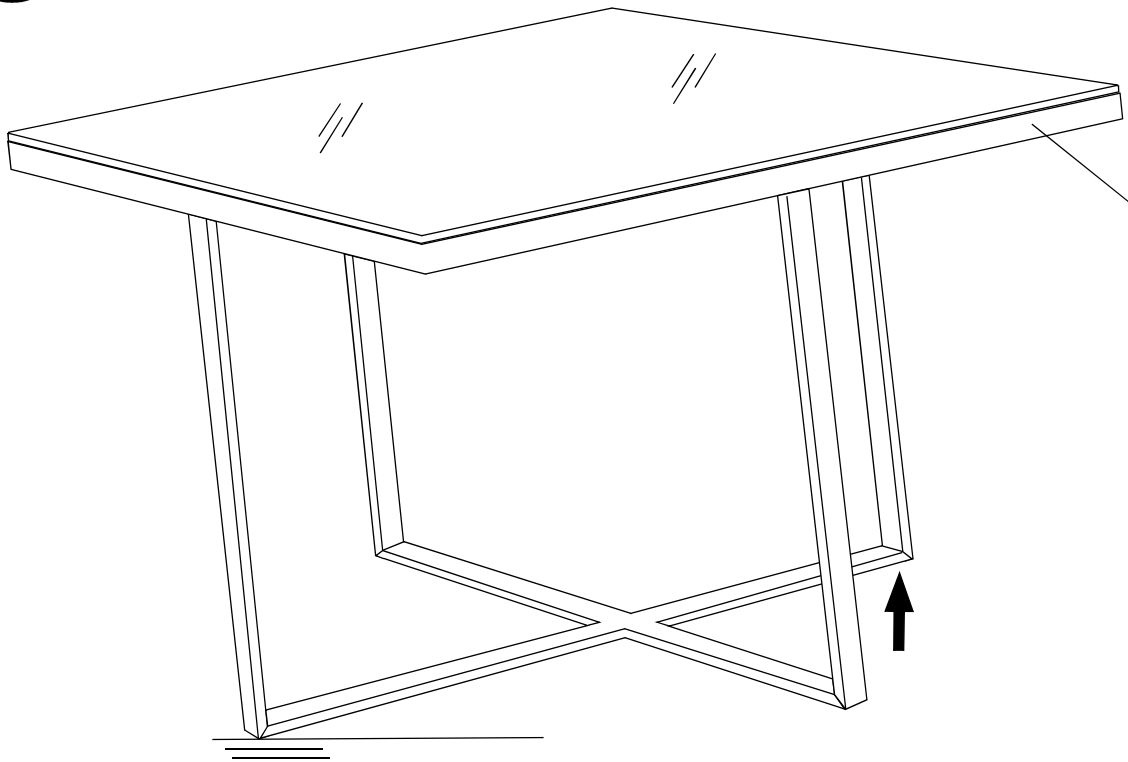
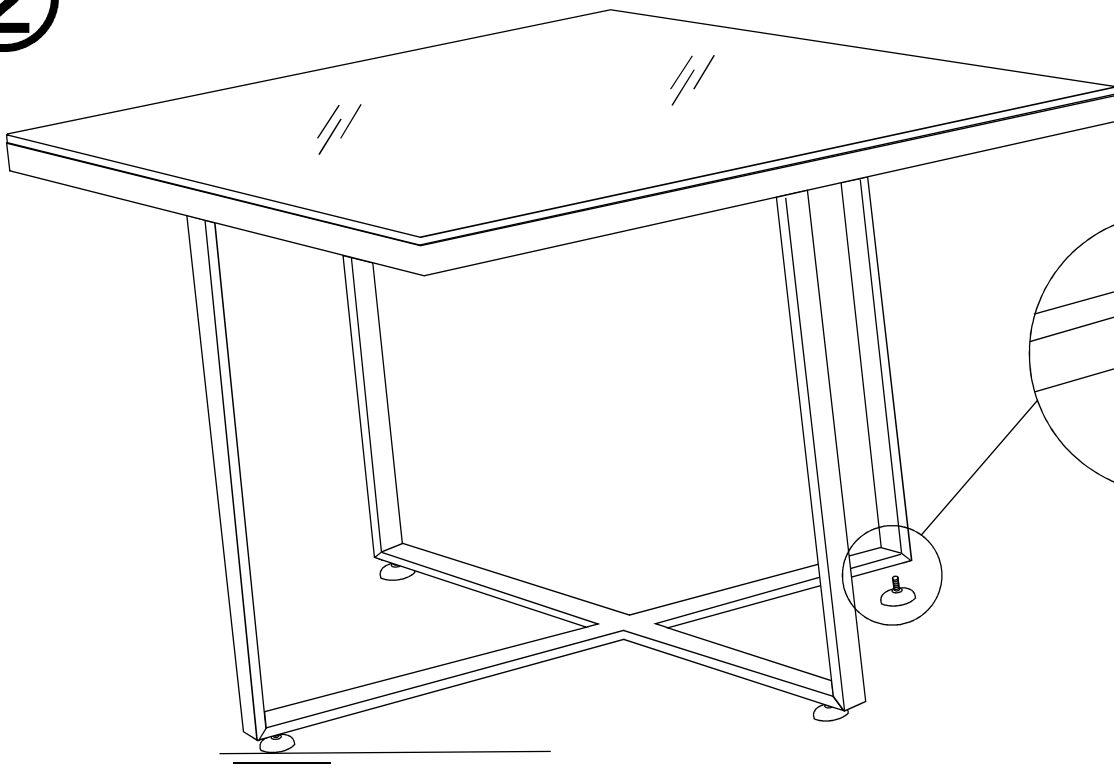


1



1

2



Ax4

A



Φ8X18mm

X4