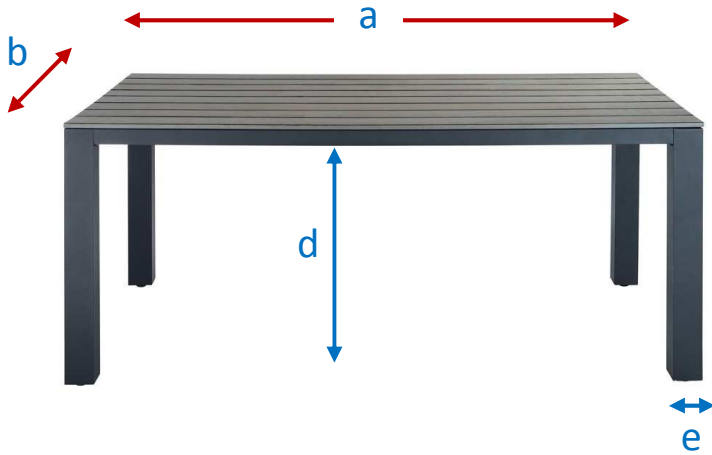
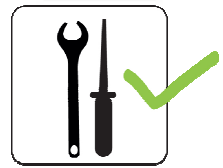


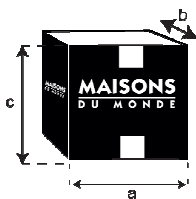
ESCALE

121 797



a = 180cm
b = 100 cm
c = 75 cm

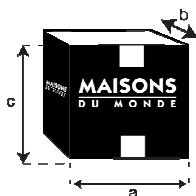
d = 69 cm
e = 8.5x8.5 cm



X 1

a = 76 cm
b = 38 cm
c = 10 cm

= 4 Kg



X 1

a = 183 cm
b = 102 cm
c = 10 cm

= 37 Kg