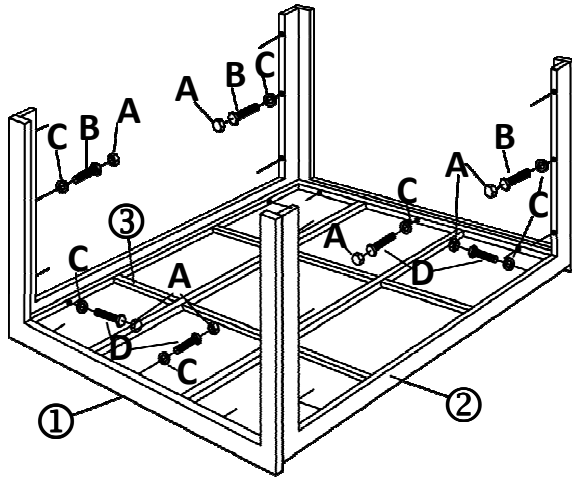
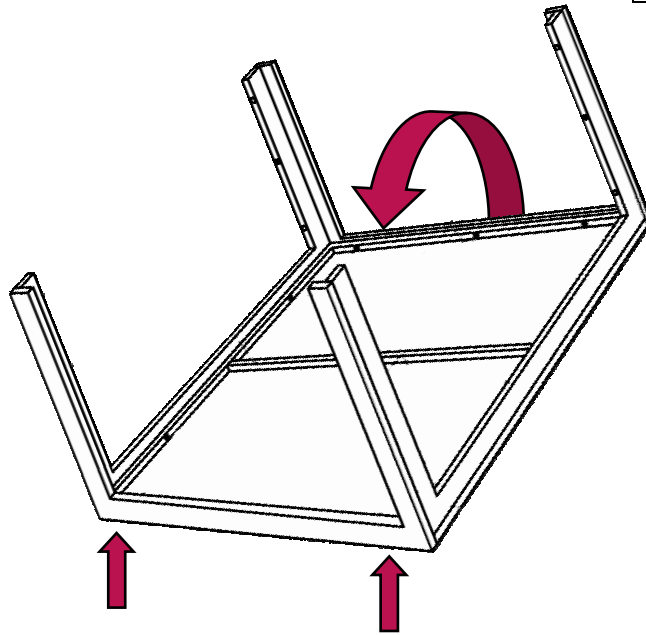


1



15 MIN	
① X 2	② X 2
③ X 1	A X 22
B X 12	C X 22
D X 10	E X 1

2



3

