
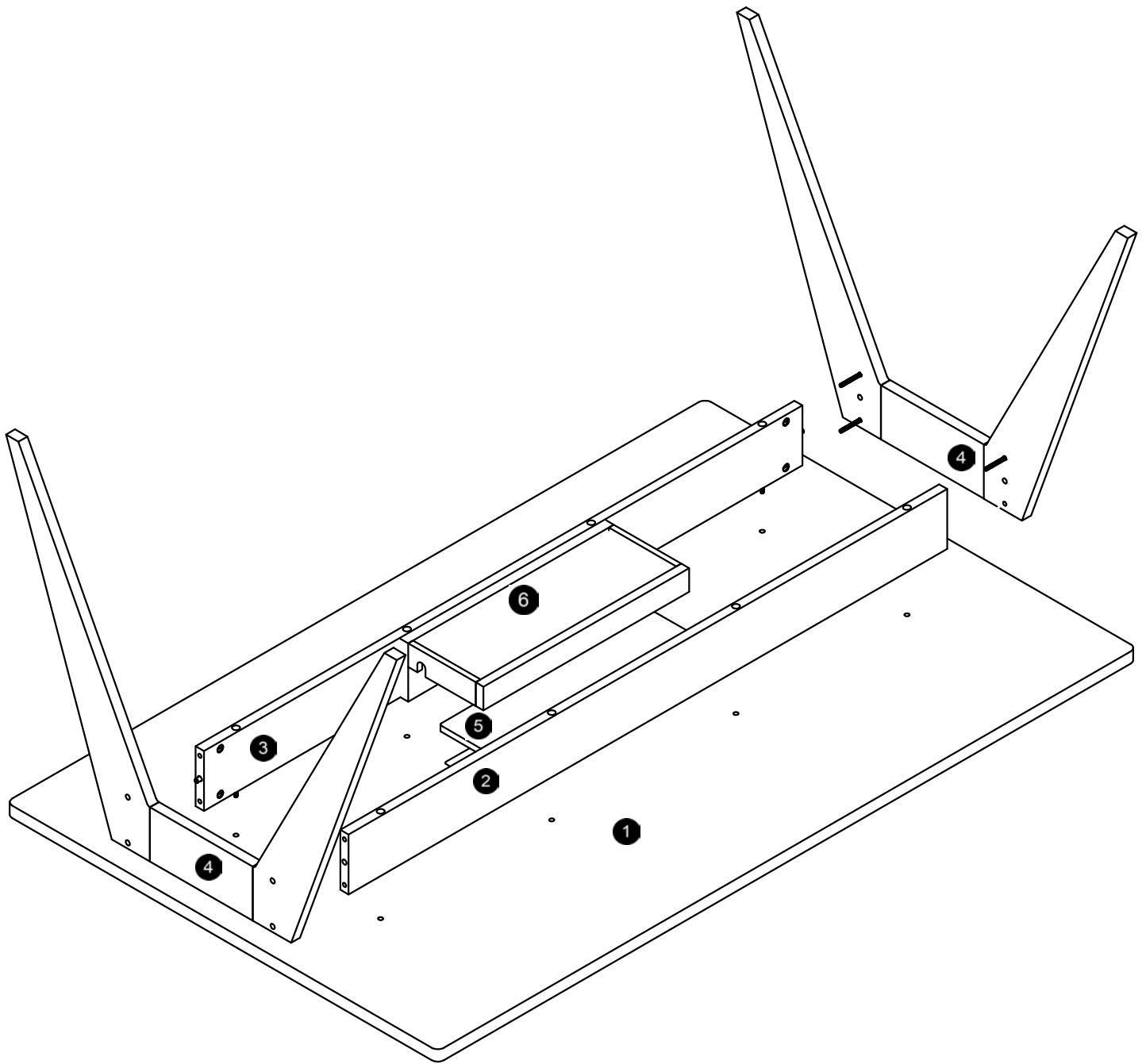




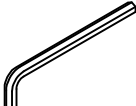
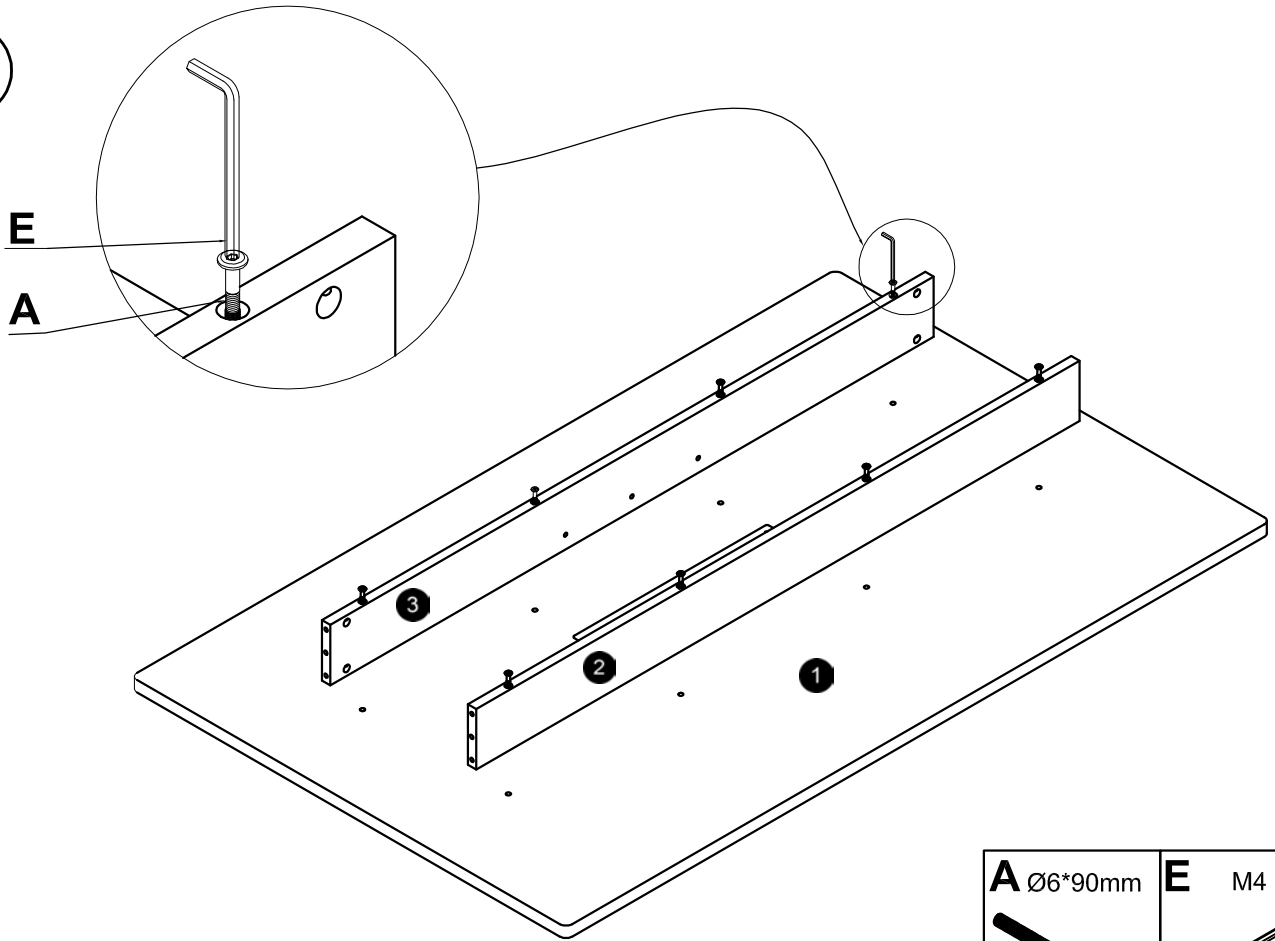


 20 MIN	
--	---



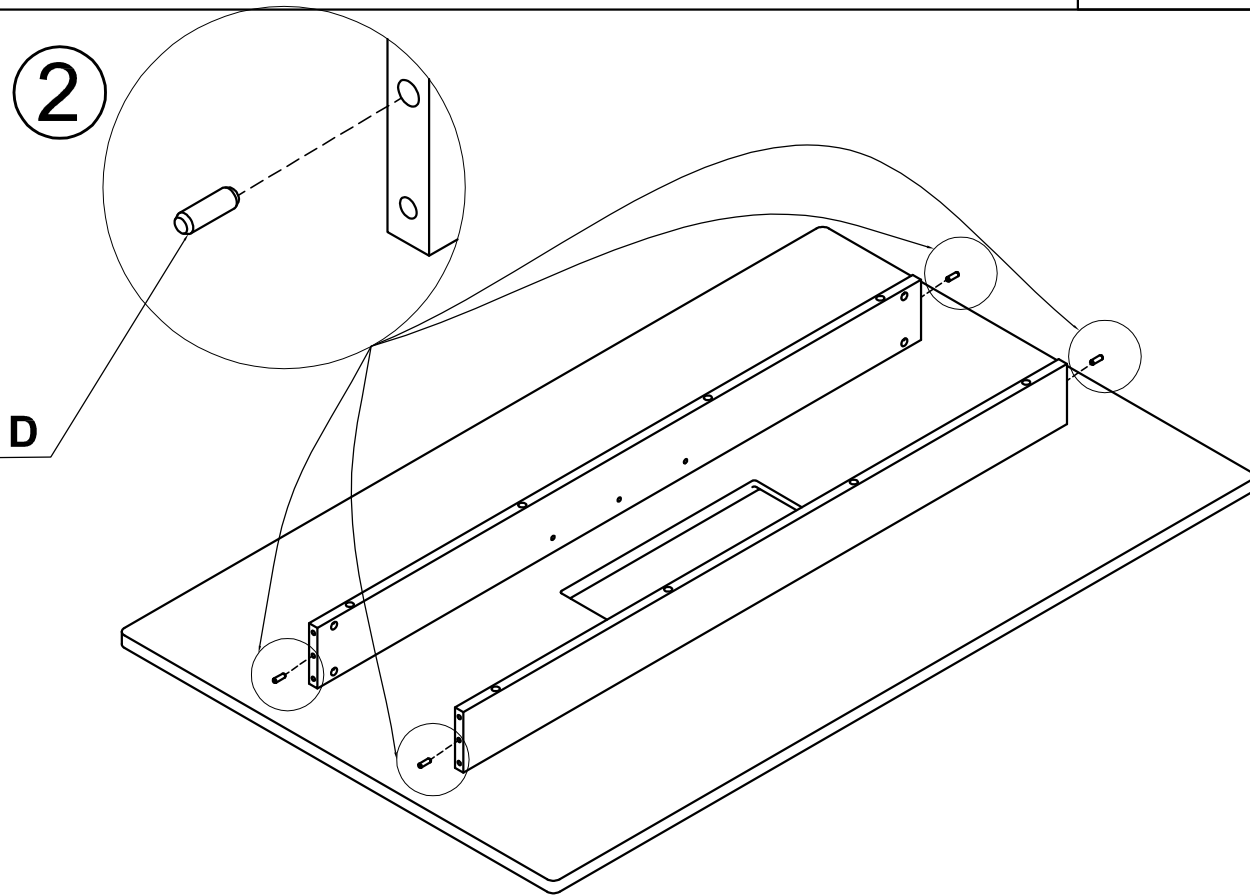
<b>A</b> Ø6*90mm  X16	<b>B</b> Ø6*30mm  X3	<b>C</b> M6*14mm  X8	<b>D</b> Ø9.7x 28  X4	<b>E</b> M 4  X1
--	---	---	--	---


1



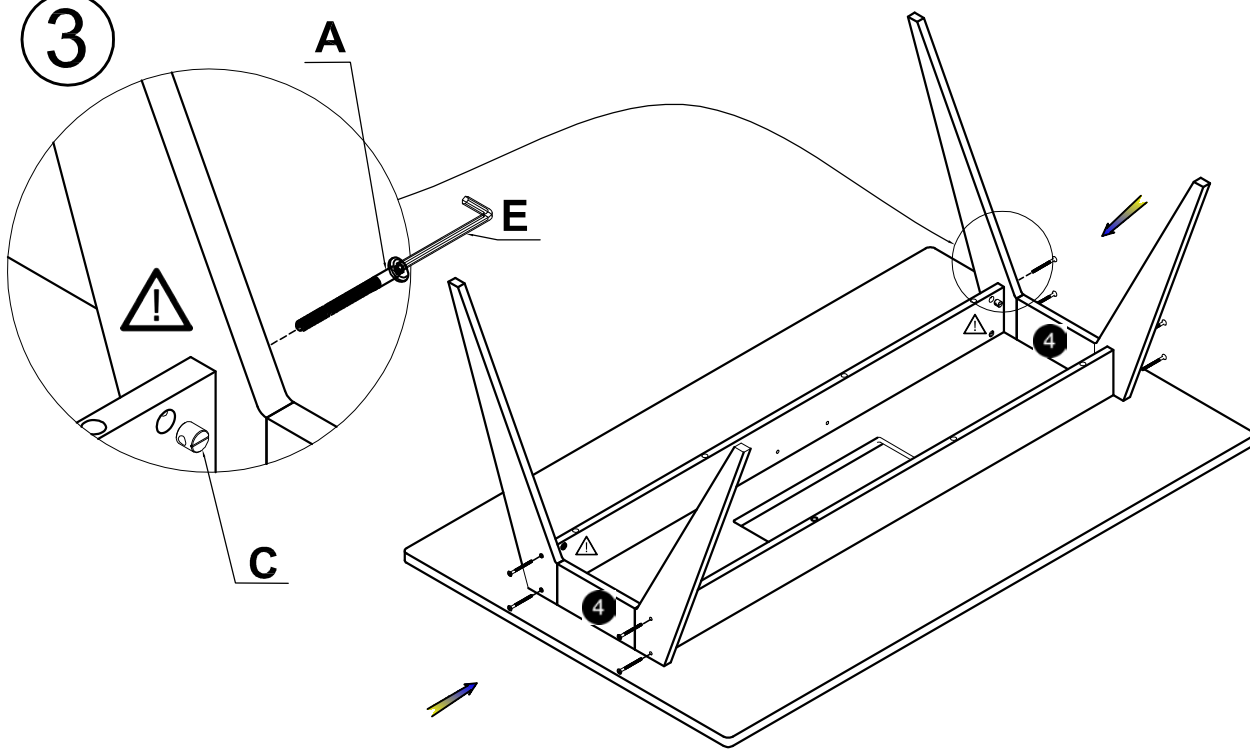
<b>A</b> Ø6*90mm	<b>E</b> M4
	
X8	X1




2



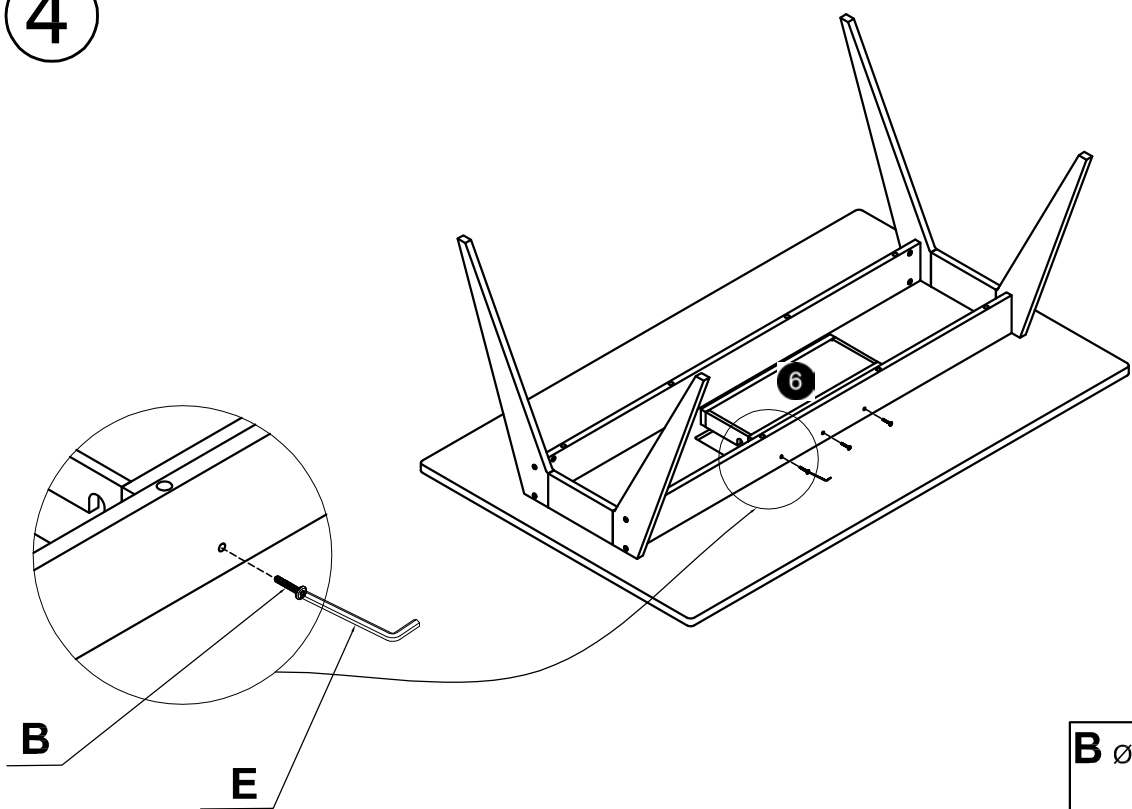
<b>D</b> Ø9.7x 28

X4



3



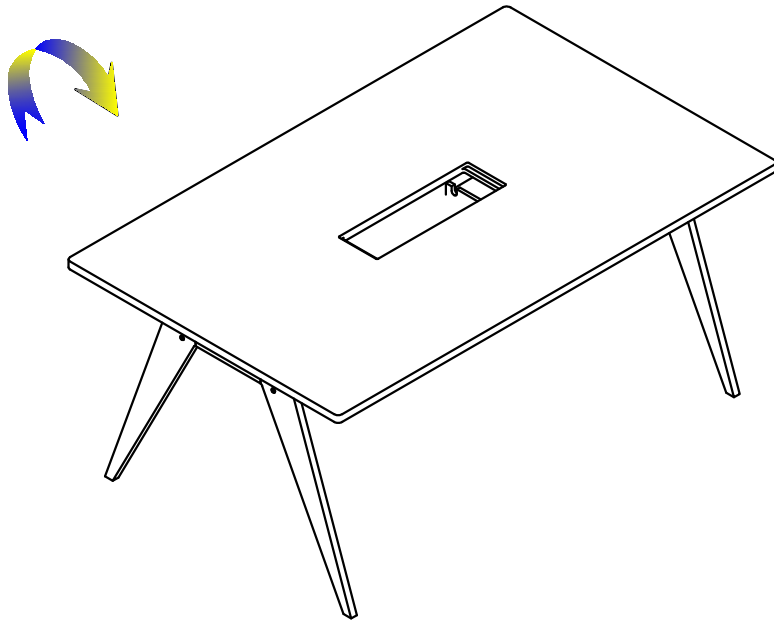
<b>A</b> Ø6*90mm	<b>C</b> M6*14mm	<b>E</b> M4
		
X8	X8	X1

4



<b>B</b> Ø6*30mm	<b>E</b> M4
	
X3	X1

5



6

