


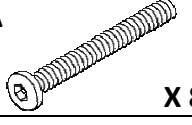




| | |
|--|---|
|  20 MIN |  |
| ①  X 4 | A  X 8 |
| B  X 8 | C  X 1 |

