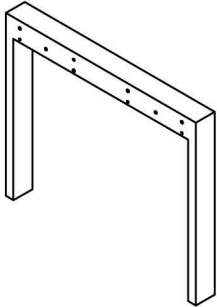




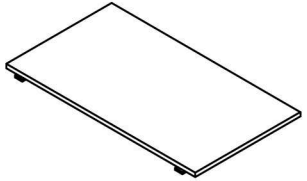
10 MIN

**A**

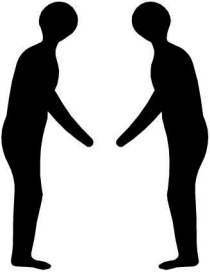


x 2

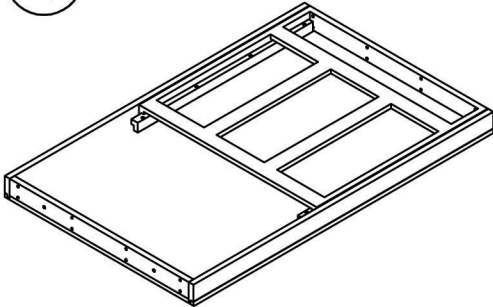
**B**



x 1



**C**



x 1

**A**

Ø 8 x 40mm



x16

**B**

Ø 10 x 30mm



x4

**C**



x1

