


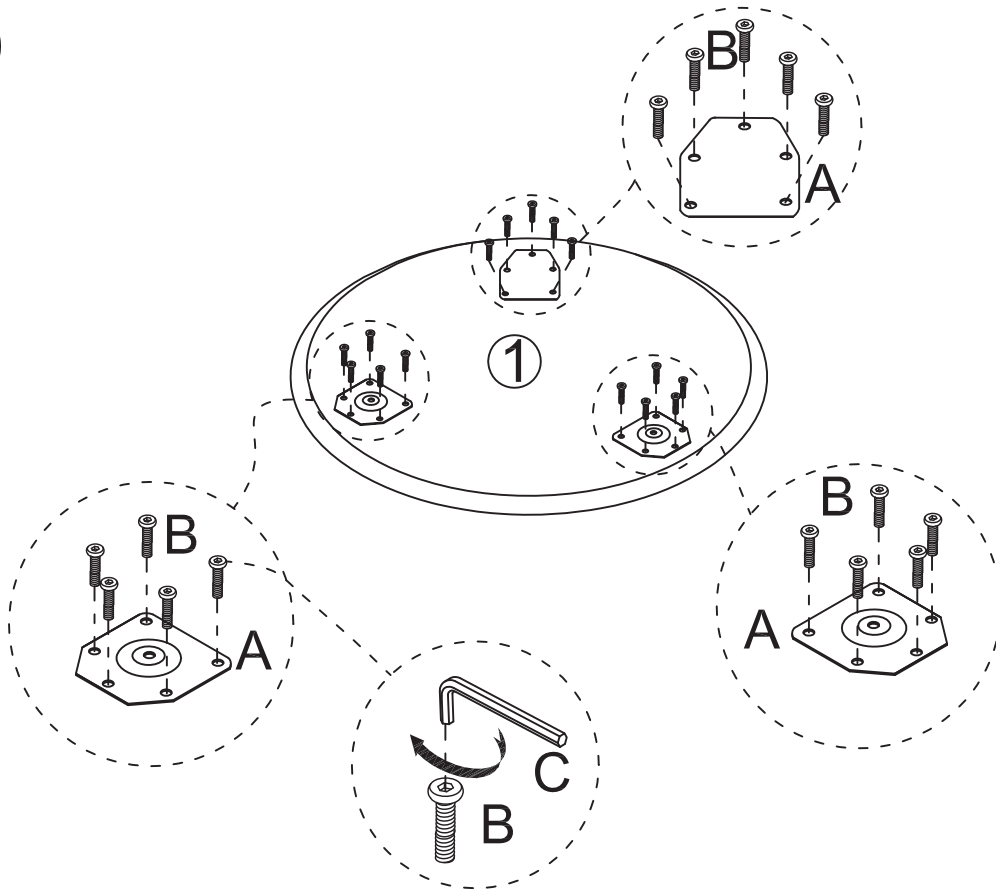


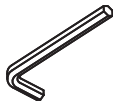


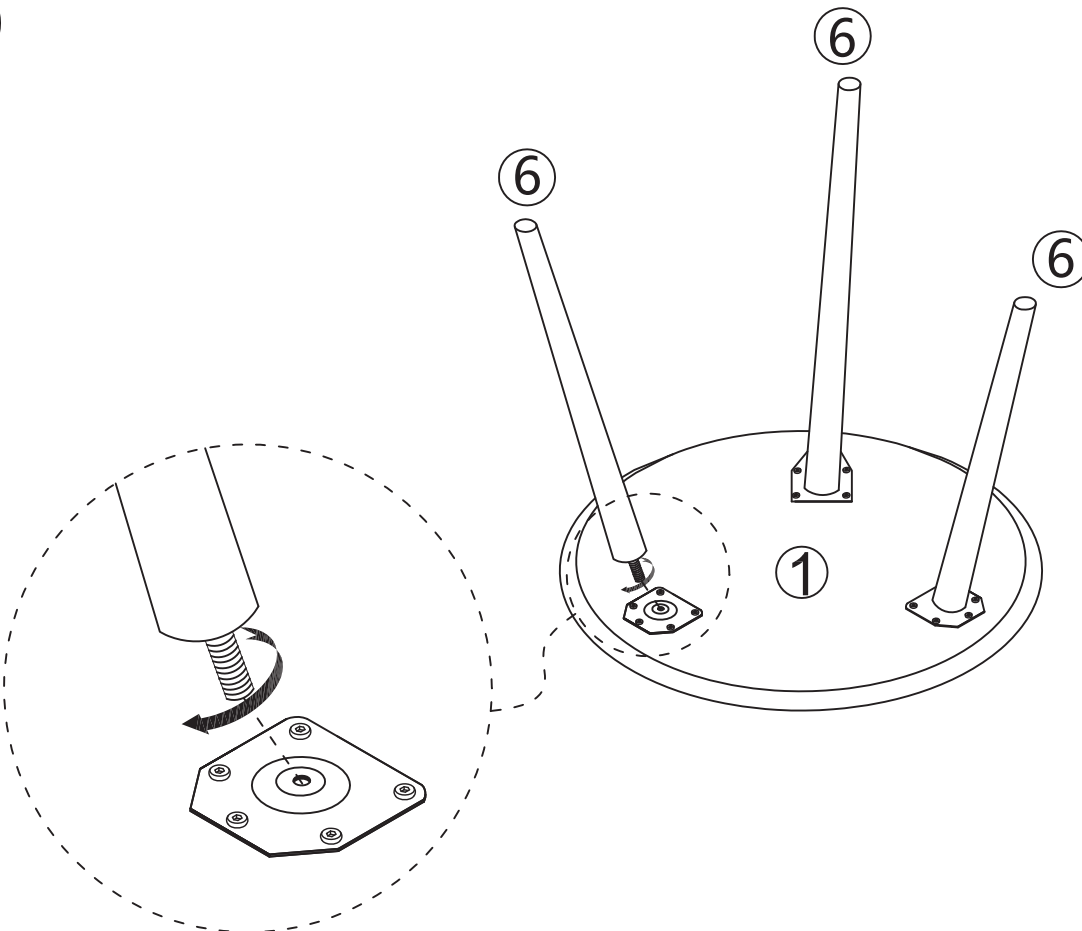
A  ø6X12mm X45	B  X9	C  X1
---	---	--

1

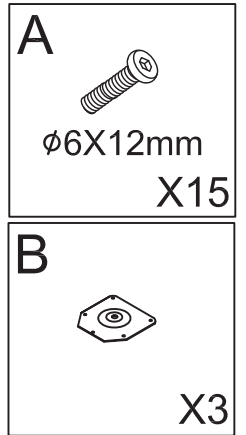
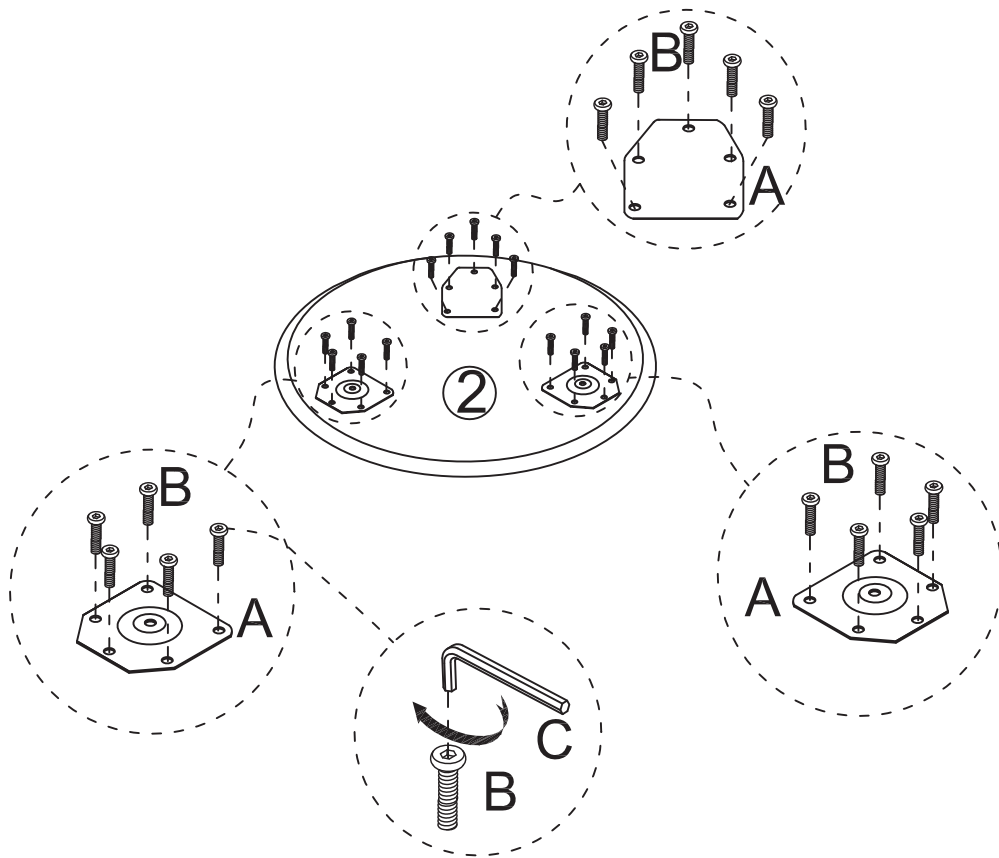


A  Ø6X12mm X15
B  X3
C  X1

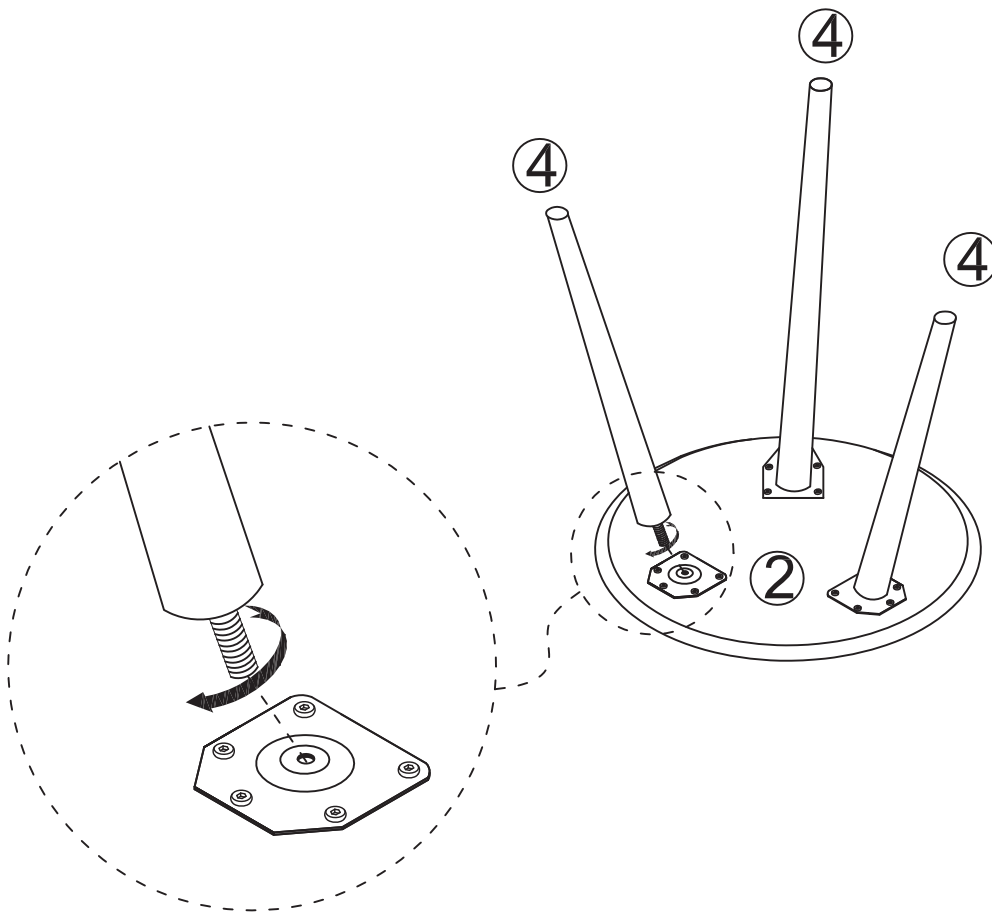
2



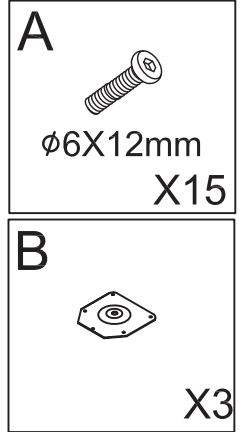
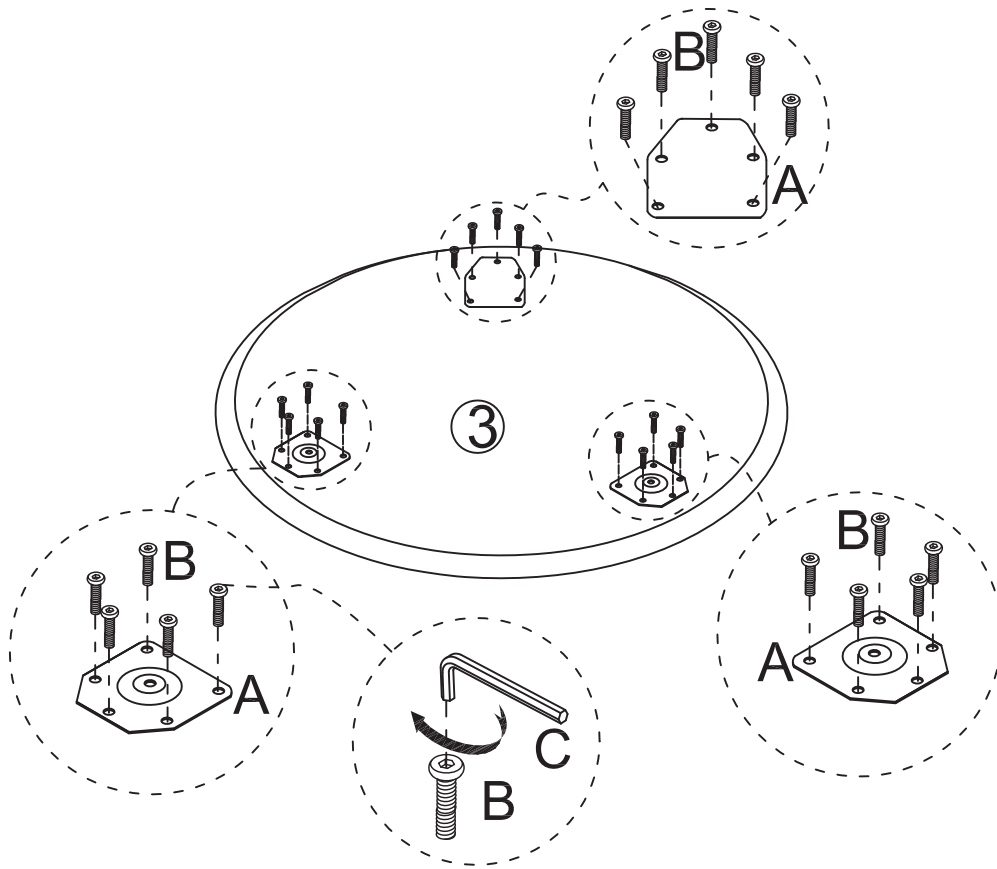
3



4



5



6

